



KONICA MINOLTA

# **bizhub** **367/287/227**

# **A3**



367	BW	<b>36</b> PPM
287	BW	<b>28</b> PPM
227	BW	<b>22</b> PPM

Giving Shape to Ideas

# Monochrome MFP with advanced functions is able to respond your workstyles



## The simplicity and usability to fit in any working environment

### New 7 inch operation panel

The new 7 inch operation panel provides industry top class multi-touch sensitivity, user friendly interface and intuitive operability. 4 hard menu keys at the bottom of the panel and the on-screen soft menu keys can allow user to register up to 9 commonly used functions such as copy, scan/fax, preview or soft numeric keypad.



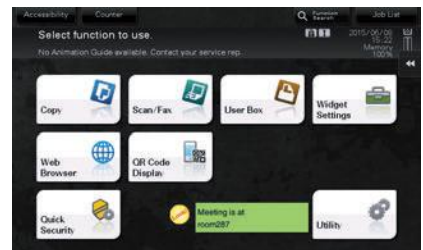
Hard registration keys  
Register up to 4 commonly used function.

Soft menu keys  
Register up to 5 commonly used function.

Soft menu keys will appear by tapping on the screen tab.

### Widgets function

Text boxes, icons, or GIF animations can be posted on the MFP operation panel like the sticky notes. These can be used to display office communications, MFP usage rules, or warnings.



### Lighter and compact MFP body

The newly developed MFP main body offers compact and lightweight body than its predecessor, the bizhub 283/223. The MFP is able to fit almost in any type of working space.

### The product design

The bizhub 367 series adopts the easy and intuitive INFO-Palette design and smart user interface. To ensure, to always provide the same user experience in any business situation through the seamless operation no matter from the PCs, tablets or smartphones.



## Print from anywhere, anytime with the most advanced wireless, mobile and cloud technology

### To connect with Android devices

The new Mobile Touch Area on the operation panel is ready to support NFC (Near Field Communication) connection with Android\*1 devices.

Touch the area with Android device to perform pairing through the PageScope Mobile (PSM). Select files on the PSM, then touch the device to the operation panel to perform print\*2 or touch the device to the operation panel to perform scan\*2.



\*1 NFC connection requires Android OS 4.4 or higher to be installed.

\*2 Wireless LAN environment is required to perform touch to print and scan.

### To connect with iOS devices

For the iOS device, to search and register MFP nearby into the PageScope Mobile (PSM)\*3 via Bluetooth LE (BLE)\*4 technology. Additionally, iOS devices can be used to log-into MFP through BLE connection. Select files on the PSM to print\*5 directly from iOS devices or scan\*5 files directly to the iOS devices.

\*3 PageScope Mobile for iPhone/iPad version 5.0 or higher is required.

\*4 Optional Device Connection I/F Kit EK-609 is required.

\*5 Wireless LAN environment is required to perform print and scan.

### Wireless LAN (AP mode) support

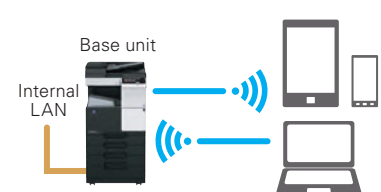
The MFP becomes a wireless LAN Access Point\*6 to allow direct wireless connection between mobile devices and bizhub. Devices brought into the office will be able to directly connect with bizhub and are securely separated from existing company LANs. PageScope Mobile will enable more convenient use, as wireless set up can be completed between a mobile device and bizhub simply by reading the QR code that is displayed on the machine panel.

\*6 Optional Upgrade Kit UK-212 and Device Connection I/F Kit EK-608 or EK-609 are required.

QR code display screen



Wireless LAN (AP mode) connection image



\* In AP mode (base unit), simultaneous connections can be made with up to 5 devices.

### Standard web browser

The multi-touch UI in the operational panel can be used to display and print out web page contents. It is convenient for print required portions of PDF files that can be viewed on websites, or to print maps for places you are about to visit.

## To connect instantly without print drivers to the industry standard mobile technologies

### AirPrint

Apple's standard printing system compatible with iOS 4.2 and Mac OS 10.7 or later. A compatible printer on your wireless LAN can be used.



### Mopria Print Service

Wireless printing technology provided by Mopria Alliance. Allows you to print from devices installed with Android 4.4 or later.



### Google Cloud Print

With the compatible software installed, you can print from any locations via the internet regardless OS or device types.



\* Google Cloud Print Setup and Google account registration are required.

\* Optional Upgrade Kit UK-211 is required.

### Konica Minolta Print Service

Print directly to bizhub via a wireless LAN from Android 4.4 or later installed devices.



### PageScope Mobile

A genuine mobile print application offered by Konica Minolta. To allow usage of wide range of bizhub functions such as duplex print, security print, staple and punch.



## Flexible and advanced security features to protect valuable information

### Authentication on the MFP main unit

Authentication can be performed directly on the main unit. Detailed access control can be set up for each function including copy, print, scan, and fax\*1.

\*1 FAX feature requires optional FAX Kit FK-513 and HDD will be needed if MFP does not equip the HDD as standard.

### IC card authentication

To authenticate\*2 with various types of IC card\*3. The authentication method also compliance with SSFC (Shared Security Formats Cooperation) standard. Besides the IC card, authentication can also be performed with any Android devices\*4 that equipped NFC antenna.



\*2 Optional Authentication Unit AU-201S and Device Connection I/F Kit EK-608 or EK-609 are required.

\*3 Compliant non-contact IC cards include FeliCa (IDm), SSFC, FCF, FCF (campus), FeliCa Private, and MIFARE (UID).

\*4 Requires Android 4.4 or later that supports HCE (Host Card Emulation) or PageScope Mobile for Android v4.1 or later.

### Biometric authentication

Your finger veins becomes the most accurate authentication tool. The biometric authentication is easy to implement but offer very high-level security.



\* Optional Biometric Authentication Unit AU-102, Working Table WT-506 and Device Connection I/F Kit EK-608 or EK-609 are required.

### TPM (Trusted Platform Module)

Control the confidential information with a TPM (Trusted Platform Module) security chip which encrypts and decrypts any confidential data. The confidential information will be encrypted and stored only in the dedicated storage area in the chip. To avoid unauthorised reading from the outside.

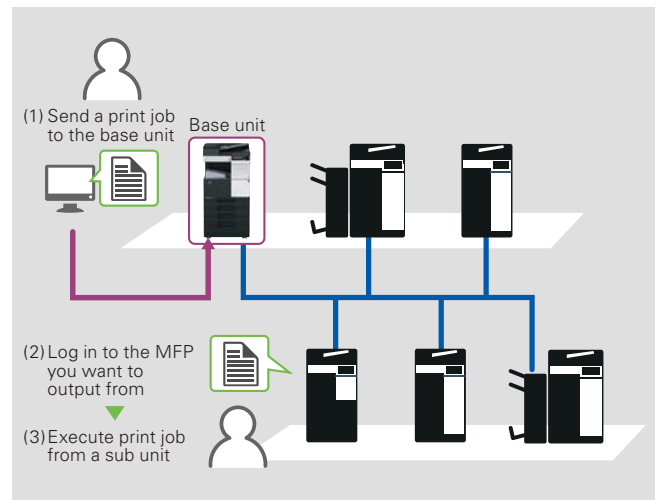
\* Optional i-Option LK-115 v2 is required.

### Server-less pull printing

Print jobs sent by user can be printed from any MFP in the office print group. To allows user to build a server-less pull printing system easier and with low introduction cost.

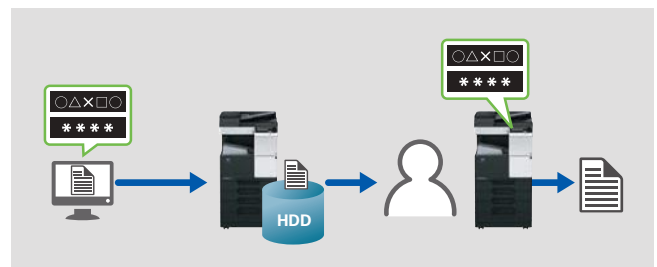
\* A pull printing system consisting of a maximum of 10 MFPs can be created. It is necessary that all corresponding MFPs be in the same network.

\* Optional i-Option LK-114 and Upgrade Kit UK-211 are required to be installed to each of the MFP.



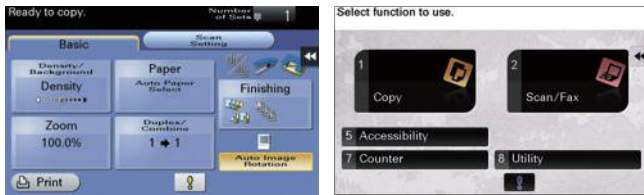
### ID & Print

If user set a password in the printer driver screen before execute the print, the print data will be stored in the HDD of the MFP and will not be printed at MFP until the same password is entered on the MFP operation panel. This function is useful when printing confidential documents or to restrict the receipt of outputs only to specific user.



### Screen display enlarge and colour reversal functions

The screen display enlarge function to enlarge the text on the buttons. The screen display colour reversal function to reverses the display colour while maintaining the same contrast ratio. For better visibility to help elderly users and users with low vision.



### Detachable paper cassette

Paper cassette of the MFP is detachable. Jammed paper remained inside of the MFP can be easily remove. To reduce MFP downtime.

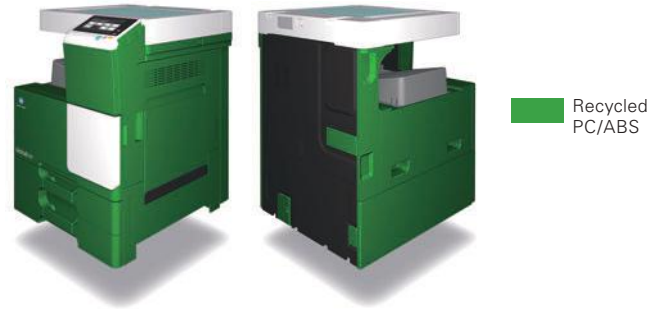


### Environmental contribution is always the top priority

#### Usage of the recycled materials

Recycled PC/ABS and biomass plastic have been used in the MFP body. The recycled material usage is approximately 11% of total MFP weight ratio\*1 and approximately 51% of the MFP main body are made by the recycled materials.

\*1 Total weight ratio of resins and plastics used in this machine.



#### Top class power consumption and TEC value in its class

The MFP CPU power set to turned off during the sleep mode. This results the top class 0.5 W power consumption ratio (during the sleep mode). The TEC value has also been reduced approximately 32-55%. More CO<sub>2</sub> emissions from MFP can be reduced.

\* Values for 220-230 V

\* TEC values applied to the International Energy Star Program Version 2.0

Yearly CO<sub>2</sub> emissions:  
TEC value x 52 weeks x emission factor  
(From the November, 2011 press release by Japan's Ministry of the Environment.)



Model shown is 367 with options.

## bizhub 367/287/227

367 B&W 36 ppm	287 B&W 28 ppm	227 B&W 22 ppm	Scan 45 opm Simplex	Biometric Authentication	IC-Card Authentication	Emperon Driven!
USB Print	Colour Internet Fax	Fax	Mobile Support	Bioplastic	Recycled PC/ABS	Simitri with Biomass

\*1 Optional

For more information please visit the bizhub Web site at

[http://www.biz.konicaminolta.com/bw/367\\_287\\_227/index.html](http://www.biz.konicaminolta.com/bw/367_287_227/index.html)

Product appearance, configuration and/or specifications are subject to change without notice. This product is not available for some countries or regions.

KONICA MINOLTA, the KONICA MINOLTA logo and symbol mark, "Giving Shape to Ideas", bizhub, bizhub PRO, bizhub PRESS, magicolor, PagePro, PageScope, Simitri, Simitri HD, Simitri HD+, Simitri with Biomass, Emperon, S.E.A.D., S.E.A.D.II, Printgroove and Konica Minolta Optimised Print Services and their respective logos are registered trademarks or trademarks of KONICA MINOLTA, INC.

Evernote is a registered trademark or trademark of Evernote Corporation.

Google is a trademark or registered trademark of Google Inc. in the U.S. and other countries.

SharePoint is a registered trademark or trademark of Microsoft Corporation in the U.S. and other countries.

All other brands and product names are registered trademarks or trademarks of their respective companies or organisations.

#### Ecology & Environment

KONICA MINOLTA products are designed with the environment in mind.

- Energy Star
- RoHS Compliance
- WEEE Compliance
- Eco-friendly Toners
- Production at ISO Certified Factories



From consulting, system design, to operations, Konica Minolta offers total support to optimise your office output environment.

<http://www.biz.konicaminolta.com/services/ops>



#### Requirements for safe use

- Please read and follow the instruction manual to ensure safe operation.
- Only operate using appropriate power supply and voltage.
- Connecting the earth wire to an inappropriate place may cause explosion or electric shock. Please connect accordingly (Taiwan and the Philippines only).

KONICA MINOLTA, INC.

2-7-2 Marunouchi Chiyoda-ku, Tokyo, Japan

<http://www.biz.konicaminolta.com>

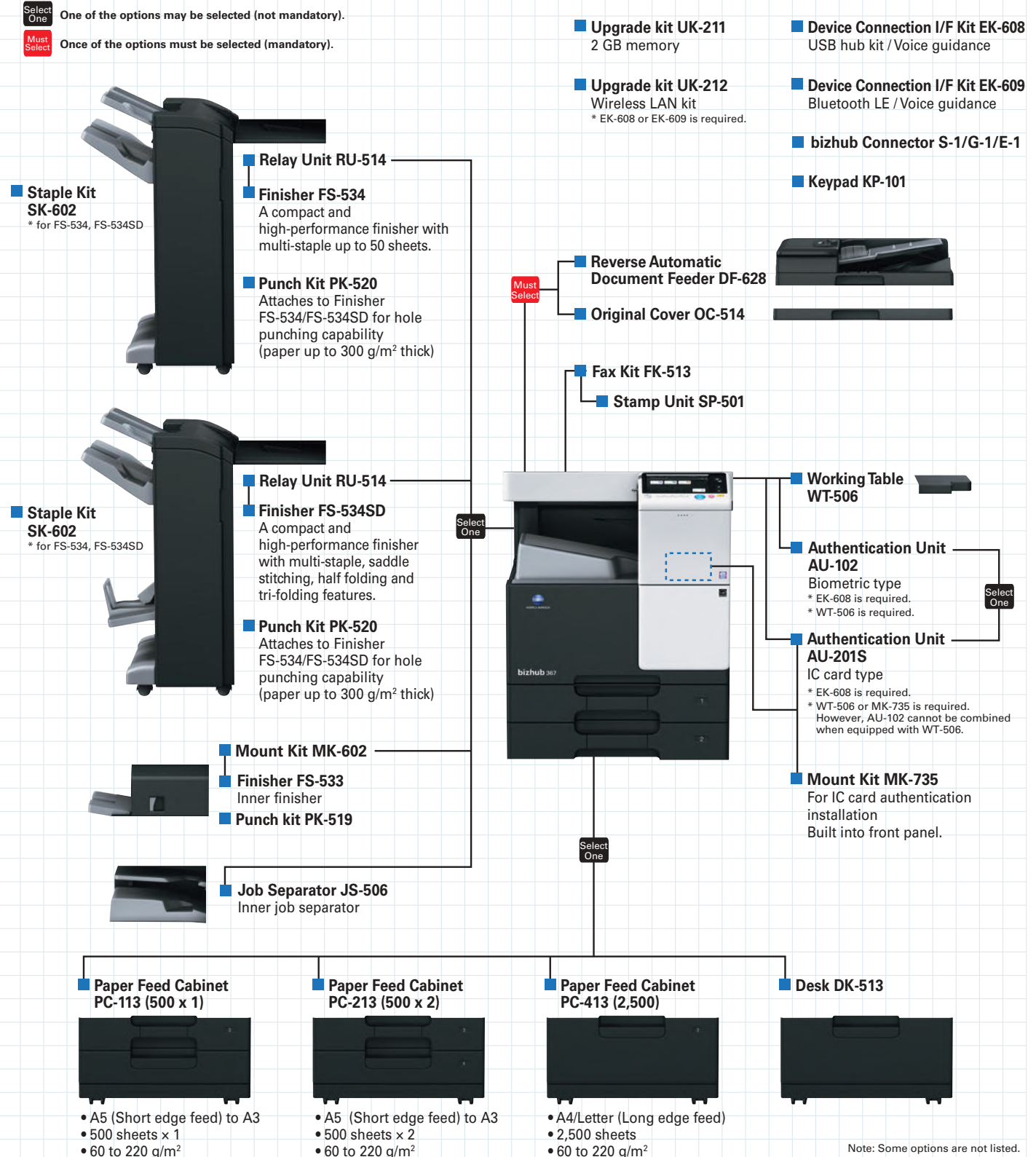
## System

Select One

One of the options may be selected (not mandatory).

Must Select

Once of the options must be selected (mandatory).



Note: Some options are not listed.

# Specifications

## bizhub 367/287/227 General Specifications

		bizhub 367	bizhub 287	bizhub 227
Type		Desktop Printer / Copier / Scanner		
Copy Resolution	Scan	Main: 600 dpi × Sub: 600 dpi		
	Print	1,800 dpi (equivalent) × 600 dpi		
Gradation		256		
Memory Capacity (Std./Max.)		2 GB/4 GB		
HDD		250 GB (optional)		
Original Type		Sheets, Books, Objects		
Max. Original Size		A3 (11" × 17")		
Output Size		Main unit: A3 to A5, 11" × 17" to 8-1/2" × 11", 5-1/2" × 8-1/2", 8" × 13", 16K, 8K Bypass Tray: A3 to A5, B6 <sup>2</sup> , A6 <sup>2</sup> , 11" × 17" to 5-1/2" × 8-1/2", 8" × 13", 16K, 8K, Postcard (A6 (4" × 6" Card)), Envelope <sup>3</sup> , Label sheet, Tab paper		
Image Loss		Max. 4.2mm or less for top edge (5 mm for thin paper), Max. 3.0mm or less for bottom edge, Max. 3.0mm or less for right/left edges *A loss of 4.2 mm each during printing.		
Warm-Up Time* <sup>4</sup> (23°C, std. voltage)		20 sec. or less		
*The time required to start printing when both the main power and sub-power switches are turned from OFF to ON.				
*The time required to start printing when the main power switch is ON and the sub-power switch is turned from OFF to ON.		15 sec. or less		
First Copy Out Time* <sup>5</sup>		4.5 sec. or less		5.3 sec. or less
Copy Speed (A4)		36 ppm		22 ppm
Copy Magnification	Fixed Same Magnification	1: 1±0.5% or less		
	Scaling Up	1: 1.154/1.224/1.414/2.000		
	Scaling Down	1: 0.866/0.816/0.707/0.500		
	Preset	3 types		
	Zoom	25 to 400% (in 0.1% increments)		
	Lengthwise Crosswise Individual Settings	25 to 400% (in 0.1% increments)		
Paper Capacity (80 g/m <sup>2</sup> )	Tray 1	500 sheets (up to B4)		
	Tray 2	500 sheets (up to A3)		
	Multiple Bypass Tray	100 sheets (up to A3)		
Max. Paper Capacity (80 g/m <sup>2</sup> )* <sup>6</sup>		3,600 sheets		
Paper Weight	Tray 1 / 2	60 to 220 g/m <sup>2</sup>		
	Multiple Bypass Tray	60 to 220 g/m <sup>2</sup>		
Multiple Copy		1 to 9,999 sheets		
Auto Duplex	Paper Size	A3 to A5 <sup>2</sup> , B5 <sup>7</sup> , 11" × 17" <sup>2</sup> to 5-1/2" × 8-1/2" <sup>2</sup> , 7-1/4" × 10-1/2", 8" × 13" <sup>2</sup> , 16K, 8K <sup>2</sup>		
	Paper Weight	60 to 209 g/m <sup>2</sup>		
Power Requirements		AC230 V 7 A (50 to 60 Hz)		
Max. Power Consumption		1.5 kW or less		
Dimensions [W] × [D] × [H]		585 × 660 × 735 mm (23-1/16" × 26" × 28-15/16")		
Weight		Approx. 56.5 kg (124-1/2 lb)		
Space Requirements [W] × [D]* <sup>8</sup>		899 × 1,172 mm (35-1/2" × 46-1/4")		

\*1 There are six types of foolscap: 8-1/2" × 13-1/2"<sup>2</sup>, 220 mm × 330 mm<sup>2</sup>, 8-1/2" × 13"<sup>2</sup>, 8-1/4" × 13"<sup>2</sup>, 8-1/8" × 13-1/4"<sup>2</sup>, and 8" × 13"<sup>2</sup>. Any one of these sizes is selectable. For details, contact your service representative.

\*2 Short edge feed 

\*3 Wrinkles or printing errors may occur due to the type, storage or environment that exists when envelope printing is carried out.

\*4 May vary depending on the operating environment and usage.

\*5 A4 long edge feed full size/using the first tray/scanning from the original glass surface.

\*6 With options installed.

\*7 Long edge feed 

\*8 Without options, with paper trays pulled out and multiple bypass tray opened.

## Printer Specifications

Type		Embedded
CPU		ARM Cortex-A7 Dual-core 1.2GHz
Memory		Shared with the copier
Print Speed		Same as Copy Speed (when using the same original)
HDD		250 GB (Shared with the copier)
Print Resolution		1,800 dpi (equivalent) × 600 dpi
PDL		PCL 6, PostScript 3 Emulation, XPS
Protocol		TCP/IP, IPX/SPX (NDS support), SMB (NetBEUI), LPD, IPP1.1, SNMP, AppleTalk
Support OS		Windows Vista* <sup>1</sup> / 7* <sup>1</sup> / 8* <sup>1</sup> / 8.1* <sup>1</sup> / 10* <sup>1</sup> Windows Server 2008* <sup>1</sup> / 2008 R2 / 2012 / 2012 R2 Mac OS X (10.6 / 10.7 / 10.8 / 10.9 / 10.10 / 10.11) Linux
Fonts	PCL	80 Roman fonts
	PS	137 Roman Type1 fonts
Interface		Ethernet (10BASE-T/100BASE-TX/1000BASE-T), USB 1.1, USB 2.0, IEEE 802.11 b/g/n* <sup>2</sup>

\*1 Supports the 32-bit (x86) or 64-bit (x64) environment.

\*2 Optional

## Scanning Specifications

Type		Full-Colour Scanner
Interface		Ethernet (10BASE-T/100BASE-TX/1000BASE-T), IEEE 802.11 b/g/n* <sup>1</sup>
Driver		TWAIN Driver, HDD TWAIN Driver
Protocol		TCP/IP (FTP, SMB, SMTP, WebDAV) (IPv4/IPv6)
Scanning Speed (Colour/B&W) (300 dpi, A4, Simplex)		45 opm* <sup>2</sup>
Scanning Size		Max. A3 (11" × 17")
Output Format		TIFF, JPEG, PDF, Compact PDF, XPS, Compact XPS, OOXML (pptx, xlsx* <sup>1</sup> , docx* <sup>1</sup> ), Searchable PDF* <sup>1</sup> , PDF/A* <sup>1</sup> , Linearised PDF* <sup>1</sup>
Scanning Resolution	Push	200 dpi / 300 dpi / 400 dpi / 600 dpi
	Pull	100 dpi / 200 dpi / 300 dpi / 400 dpi / 600 dpi
Main Functions		Scan to E-Mail, Scan to FTP, Scan to BOX (HDD), Scan to PC (SMB), Network TWAIN, Scan to WebDAV, Scan to USB, Scan to Scan Server, Scan to Web Service (WSD-Scan), Device Profile for Web Services (DPWS)
Other Functions		Multi-Method Send, Authentication at the time of E-Mail send (SMTP authentication, POP before SMTP), S/MIME, Annotation

\*1 Optional

\*2 When using the Reverse Automatic Document Feeder DF 628.

## Internet Fax

Protocol	TX: SMTP RX: POP3, TCP/IP Simple mode
Connection Mode	Full-Mode
Sending Paper Size	A3, B4, A4
Recording Paper Size	Max. A3
Resolution	B/W: 200 × 100 dpi, 200 × 200 dpi, 400 × 400 dpi, 600 × 600 dpi Colour: 200 × 200 dpi, 400 × 400 dpi, 600 × 600 dpi
Interface	Ethernet (10BASE-T/100BASE-TX/1000BASE-T)
Colour	Support Colour Internet Fax
Format	B/W: TIFF-F Colour: TIFF (Conforms to RFC3949 Profile-C)

## Fax Kit FK-513 (Optional)

\*Optional HDD will be needed if MFP does not equip the HDD as standard.

Communication	Super G3
Compatible Lines	Public Switch Telephone Network, Private Branch Exchange, Fax Communication Line
Line Density	Ultra Fine: 600 dpi 600 dpi Super Fine: 16 dot/mm 15.4 line/mm, 400 dpi 400 dpi Fine: 8 dot/mm 7.7 line/mm, 200 dpi 200 dpi Normal: 8 dot/mm 3.85 line/mm
Modem Speed	2.4 to 33.6 kbps
Compression	MH/MR/MMR/JBIG
Sending Paper Size	Max. A3 (Long Length Support: Max.1,000 mm)
Recording Paper Size	Max. A3 (Long Length Max. 1,000 mm — following the page division —)
Transmission Speed	Less than 2 sec. (A4, V34, 33.6 kbps, JBIG)
Memory	Shared with the copier
Number of Abbr. Dials	2,000
Number of Program Dials	400
Number of Group Dials	100
Sequential Multiple Station Transmission	Max. 600

## IP Address Fax

\*Optional Fax Kit FK-513 is required.

Protocol Transmission	TCP/IP SMTP
Sending Paper Size	A3, B4, A4
Resolution	200 × 200 dpi, 400 × 400 dpi, 600 × 600 dpi
Format	B/W: TIFF-F, TIFF-S Colour: TIFF, PDF


## Reverse Automatic Document Feeder DF-628 (Optional)

Type		Circulatory duplex system
Support Paper Size		Max. A3 (Fax mode: Max. 1,000 mm)
Mixed Size		Support
Original Set		Centre guide
Support Paper Weight		Simplex: 35 to 128 g/m <sup>2</sup> Duplex/Mixed Original: 50 to 128 g/m <sup>2</sup>
Paper Capacity		Max. 130 sheets (68 g/m <sup>2</sup> )
Productivity (A4)	Simplex	Colour/B&W: 45 opm (300 dpi), 36 opm (600 dpi)
	Duplex	Colour/B&W: 22 opm (300 dpi), 17 opm (600 dpi)
Power Requirements		Supplied from the MFP main body
Dimensions [W] × [D] × [H]		585 × 504 × 127 mm (23" × 19-3/4" × 5")
Weight		Approx. 9 kg (19-3/4lb)

## Finisher FS-533 (Optional)

\*Optional Mount Kit MK-602 is required.

Type		Finisher
Support Paper Type		Plain paper (60 to 90 g/m <sup>2</sup> ), Thick paper (91 to 220 g/m <sup>2</sup> ), Transparency, Envelope, Label sheet, Letterhead paper, Tab paper
Support Paper Size		A3 to A5, B6 <sup>1</sup> , A6 <sup>1</sup> , 11" × 17" to 5-1/2" × 8-1/2", 16K, 8K, Postcard (A6 (4" × 6" Card))
Mode		Sort, Group, Offset Sort, Offset Group, Staple
Stacking Capacity		500 sheets (60 to 90 g/m <sup>2</sup> , A4* <sup>1</sup> or smaller) 250 sheets (60 to 90 g/m <sup>2</sup> , B4 or larger) 10 sheets (91 to 220 g/m <sup>2</sup> , special paper)
Staple Capacity		50 sheets (60 to 90 g/m <sup>2</sup> , A4* <sup>1</sup> or smaller) 30 sheets (60 to 90 g/m <sup>2</sup> , B4 or larger) 2 sheets (91 to 209 g/m <sup>2</sup> , as cover pages)
Power Requirements		Supplied from the MFP main body
Max. Power Consumption		40 W or less
Dimensions [W] × [D] × [H]		472.5 × 583.5 × 194.7 mm (18-1/2" × 23" × 7-3/4")
Weight		Approx. 12 kg (26-1/2 lb)

\*1 Short edge feed 

## Punch Kit PK-519 (Optional)

Applicable	Finisher FS-533
Number of holes	2 holes or 4 holes
Support Paper Type (Weight)	Plain paper (60 to 90 g/m <sup>2</sup> ), Thick paper (91 to 157 g/m <sup>2</sup> )
Support Paper Size	A3 to B5, 11" × 17" to 7-1/4" × 10-1/2"
Power Requirements	Supplied from Finisher FS-533
Dimensions [W] × [D] × [H]	110.2 × 483.5 × 203.2 mm (4-1/2" × 19" × 8")
Weight	Approx. 3.2 kg (7 lb)

# Specifications


## Job Separator JS-506 (Optional)

Support Paper Type (Weight)	Tray 1	Plain paper (60 to 90 g/m <sup>2</sup> ), Thick paper (91 to 220 g/m <sup>2</sup> ), Transparency, Envelope, Label sheet
	Tray 2	Plain paper (60 to 90 g/m <sup>2</sup> ), Thick paper (91 to 220 g/m <sup>2</sup> ), Transparency, Envelope, Label sheet
Support Paper Size	A3 to A5, B6 <sup>1</sup> , A6 <sup>1</sup> , 11" x 17" to 5-1/2" x 8-1/2", 16K, 8K, Postcard (A6 (4" x 6" Card))	
Stacking Capacity	Tray 1	100 sheets (60 to 90 g/m <sup>2</sup> )
	Tray 2	150 sheets (60 to 90 g/m <sup>2</sup> )
Power Requirements	Supplied from MFP main body	
Max. Power Consumption	24 W or less	
Dimensions [W] x [D] x [H]	451 x 469 x 227 mm (17-3/4" x 18-1/2" x 9")	
Weight	Approx. 1.5 kg (3-1/4 lb)	

\*1 Short edge feed 

## Finisher FS-534 (Optional)

Type	Finisher	
Support Paper Type	Plain paper (60 to 90 g/m <sup>2</sup> ), Thick paper (91 to 220 g/m <sup>2</sup> ), Transparency, Envelope, Label sheet, Letterhead paper, Tab paper	
Support Paper Size	A3 to A5, B6 <sup>1</sup> , A6 <sup>1</sup> , 11" x 17" to 5-1/2" x 8-1/2", 16K, 8K, Postcard (A6 (4" x 6" Card))	
Mode	Sort, Group, Offset Sort, Offset Group, Staple	
Stacking Capacity	Output tray 1 (Sub tray)	200 sheets (60 to 90 g/m <sup>2</sup> ) 20 sheets (91 to 220 g/m <sup>2</sup> , special paper)
	Output tray 2 (Main tray)	3,000 sheets (60 to 90 g/m <sup>2</sup> , A4* <sup>1</sup> or smaller, B5 or larger) 1,500 sheets (60 to 90 g/m <sup>2</sup> , B4 or larger) 500 sheets (60 to 90 g/m <sup>2</sup> , A5 or smaller) 20 sheets (91 to 220 g/m <sup>2</sup> , special paper)
	Output tray 3 (Relay Unit top surface)	100 sheets (60 to 90 g/m <sup>2</sup> ) 20 sheets (91 to 220 g/m <sup>2</sup> , special paper)
Staple Capacity	50 sheets (Plain Paper 60 to 90 g/m <sup>2</sup> ) 48 sheets (Plain paper 60 to 90 g/m <sup>2</sup> ) + 2 sheets (Thick paper 91 to 209 g/m <sup>2</sup> ) 30 sheets (Thick paper 91 to 120 g/m <sup>2</sup> ) 15 sheets (Thick paper 121 to 209 g/m <sup>2</sup> )	
Power Requirements	Supplied from the MFP main body	
Max. Power Consumption	56 W or less	
Dimensions [W] x [D] x [H]	528 x 641 x 1,023 mm (20-3/4" x 25-1/4" x 40-1/4")	
Weight	Approx. 40 kg (88-1/4 lb)	

\*1 Short edge feed 

## Finisher FS-534SD (Optional)

Type	Finisher	
Support Paper Type	Thin paper/Plain paper (60 to 90 g/m <sup>2</sup> ), Thick paper (91 to 220 g/m <sup>2</sup> ), Transparency, Envelope, Label sheet, Letterhead paper, Tab paper Centre Staple: 60 to 90 g/m <sup>2</sup> Half-Fold: 60 to 209 g/m <sup>2</sup> (more than 91 g/m <sup>2</sup> Thick paper can be used only as a cover page) Tri-Fold: 60 to 90 g/m <sup>2</sup>	
Support Paper Size	A3 to A5, B6 <sup>1</sup> , A6 <sup>1</sup> , 11" x 17" to 5-1/2" x 8-1/2", 16K, 8K, Postcard (A6 (4" x 6" Card)), Centre Staple, Half-Fold: A3, B4, A4 <sup>1</sup> , 11" x 17", 8-1/2" x 14", 8-1/2" x 11" <sup>1</sup> , 8K Tri-Fold: A4 <sup>1</sup> , 8-1/2" x 11" <sup>1</sup> , 16K <sup>1</sup>	
Mode	Sort, Group, Offset Sort, Offset Group, Staple	
Staple Capacity	50 sheets (Plain Paper 60 to 90 g/m <sup>2</sup> ) 48 sheets (Plain paper 60 to 90 g/m <sup>2</sup> ) + 2 sheets (Thick paper 91 to 209 g/m <sup>2</sup> ) 30 sheets (Thick paper 91 to 120 g/m <sup>2</sup> ) 15 sheets (Thick paper 121 to 209 g/m <sup>2</sup> )	
Maximum Number of Sheets that can be Centrestapled	20 (60 to 90 g/m <sup>2</sup> ) sheets, or 19 (90 g/m <sup>2</sup> ) sheets + Thick (209 g/m <sup>2</sup> ) 1 sheet	
Maximum Number of Folded Sheets	Half-Fold: 5 sheets or Thick (91 to 209 g/m <sup>2</sup> ) 1 sheet, Tri-Fold: 3 sheets	
Stacking Capacity	Output tray 1 (Sub tray)	200 sheets (60 to 90 g/m <sup>2</sup> ), 20 sheets (91 to 220 g/m <sup>2</sup> , special paper)
	Output tray 2 (Main tray)	3,000 sheets (60 to 90 g/m <sup>2</sup> , A4* <sup>1</sup> or smaller, B5 or larger) 1,500 sheets (60 to 90 g/m <sup>2</sup> , B4 or larger) 500 sheets (60 to 90 g/m <sup>2</sup> , A5 or smaller) 20 sheets (91 to 220 g/m <sup>2</sup> , special paper)
	Output tray 3 (Relay Unit top surface)	100 sheets (60 to 90 g/m <sup>2</sup> ) 20 sheets (91 to 220 g/m <sup>2</sup> , special paper)
Folding output tray	1 to 3 sheets: 20 sets 4 to 10 sheets: 10 sets 11 to 20 sheets: 5 sets Tri-Fold (1 sheet): 30 sets Tri-Fold (2-3 sheets): 10 sets	
Power Requirements	Supplied from the MFP main body	
Max. Power Consumption	56 W or less	
Dimensions [W] x [D] x [H]	528 x 641 x 1,023 mm (20-3/4" x 25-1/4" x 40-1/4")	
Weight	Approx. 64 kg (141 lb)	

\*1 Short edge feed 

## Punch Kit PK-520 (Optional)

Applicable	Finisher FS-534/FS-534SD
Number of holes	2 holes or 4 holes
Support Paper Type (Weight)	Plain paper (60 to 90 g/m <sup>2</sup> ), Thick paper (91 to 220 g/m <sup>2</sup> )
Support Paper Size	A3 to B5, 11" x 17" to 7-1/4" x 10-1/2", 16K, 8K
Power Requirements	Supplied from Finisher FS-534/FS-534SD
Dimensions [W] x [D] x [H]	61 x 492 x 142 mm (2-1/2" x 19-1/2" x 5-1/2")
Weight	Approx. 1.8 kg (4 lb)


## Paper Feed Cabinet PC-113 (Optional)

Support Paper Type (Weight)	Plain paper (60 to 90 g/m <sup>2</sup> ) Thick paper (91 to 220 g/m <sup>2</sup> )
Support Paper Size	A3 to A5 <sup>1</sup> , 11" x 17" to 5-1/2" x 8-1/2", 8" x 13", 16K, 8K
Paper Capacity   Top tray (Tray 3)	Plain paper: 500 sheets, Thick paper: 150 sheets
Power Requirements	Supplied from the MFP main body
Dimensions [W] x [D] x [H]	564 x 640 x 298 mm (22-1/4" x 25-1/4" x 11-3/4")
Unit Configuration	Paper tray, 1 level
Weight	Approx. 23 kg (50-3/4 lb)

\*1 Short edge feed 

## Paper Feed Cabinet PC-213 (Optional)

Support Paper Type (Weight)	Plain paper (60 to 90 g/m <sup>2</sup> ) Thick paper (91 to 220 g/m <sup>2</sup> )
Support Paper Size	A3 to A5 <sup>1</sup> , 11" x 17" to 5-1/2" x 8-1/2", 8" x 13", 16K, 8K
Paper Capacity   Top tray (Tray 3)	Plain paper: 500 sheets, Thick paper: 150 sheets
Bottom tray (Tray 4)	Plain paper: 500 sheets, Thick paper: 150 sheets
Power Requirements	Supplied from the MFP main body
Dimensions [W] x [D] x [H]	564 x 640 x 298 mm (22-1/4" x 25-1/4" x 11-3/4")
Unit Configuration	Paper tray, 2 level
Weight	Approx. 26 kg (57-1/4 lb)

\*1 Short edge feed 

## Paper Feed Cabinet PC-413 (Optional)

Support Paper Type (Weight)	Plain paper (60 to 90 g/m <sup>2</sup> ) Thick paper (91 to 220 g/m <sup>2</sup> )
Support Paper Size	A4 <sup>1</sup> , 8-1/2" x 11" <sup>1</sup>
Paper Capacity	Plain paper: 2,500 sheets, Thick paper: 1,000 sheets
Power Requirements	Supplied from the MFP main body
Dimensions [W] x [D] x [H]	564 x 640 x 298 mm (22-1/4" x 25-1/4" x 11-3/4")
Unit Configuration	Paper tray, 2 level
Weight	Approx. 24.5 kg (54 lb)

\*1 Long edge feed 

## Authentication Unit (IC Card type) AU-201S (Optional)

Applicable Card	FeliCa (iDm), SSFC, FCF, FCF (campus), FeliCa Private, TypeA MIFARE (UID), NFC (Host Card Emulation)
Interface	USB 2.0
Power Supply	Power received from USB port
Dimensions [W] x [D] x [H]	98 x 64 x 13 mm (3-7/8" x 2-1/2" x 1/2") (not including projections)
Weight	Approx. 100 g (1/4 lb)

## Authentication Unit (Biometric type) AU-102 (Optional)

Biometric Sensor System	Transmission-type optical system
Interface	USB 2.0
Verification Time	Approx. 1 sec. or less
Max. Power Consumption	DC 5 V 500 mA
Dimensions [W] x [D] x [H]	59 x 82 x 74 mm (2-1/4" x 3-1/4" x 3")
Weight	Approx. 96 g (1/4 lb) (excluding USB cable)

# i-Option

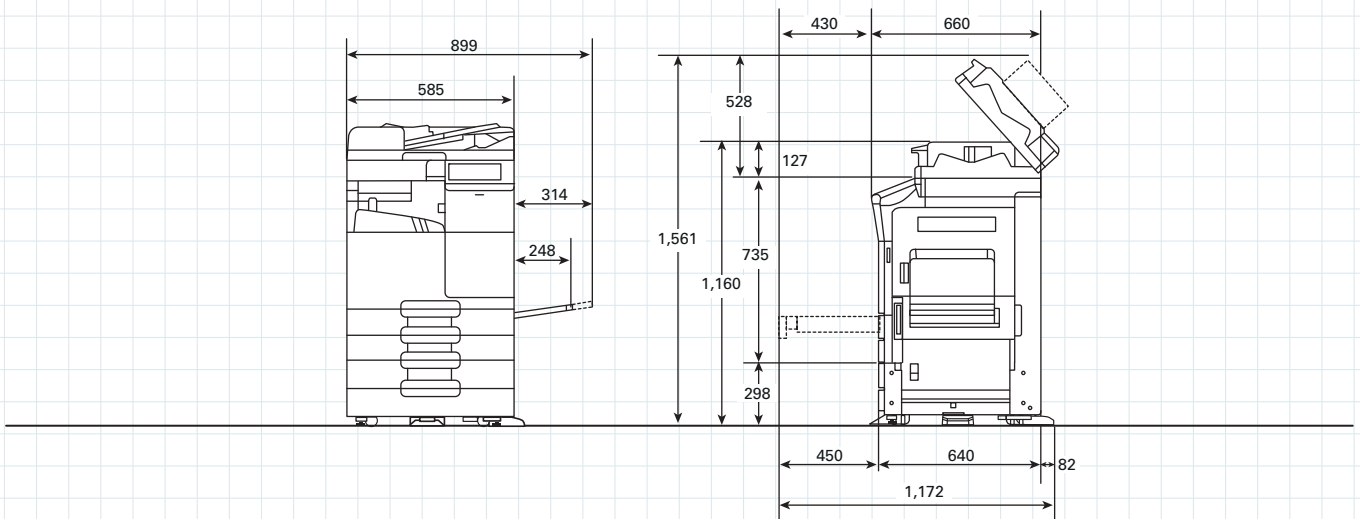
Model	Function	Note
i-Option LK-102 v3	Encrypted PDF or PDF/A (1a/1b)	Upgrade Kit UK-211 is required.
i-Option LK-104 v3	Voice guidance*1	
i-Option LK-105 v4	Searchable PDF	
i-Option LK-106	Barcode font (Code39, QR Code, PDF417)	
i-Option LK-107	Unicode font	
i-Option LK-108	OCR font (OCR-A, OCR-B (PCL))	
i-Option LK-110 v2	File format extension package	Upgrade Kit UK-211 is required.
i-Option LK-111	ThinPrint function	
i-Option LK-114	Server-less Pull Printing function	Upgrade Kit UK-211 is required.
i-Option LK-115 v2	TPM function	Not available in China.

\*1 Device Connection I/F Kit EK-608 or EK-609 is required.

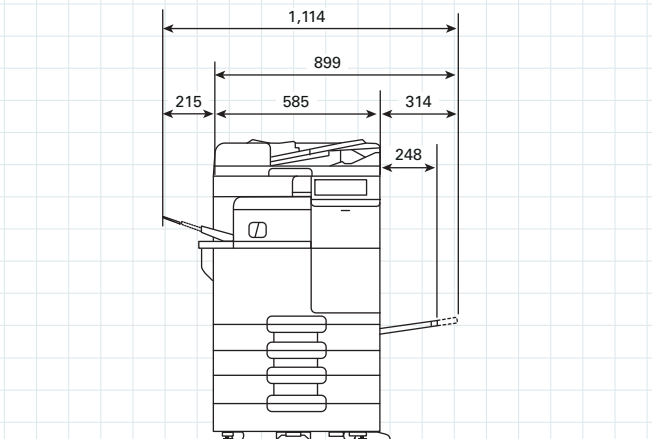
## Space Requirements

Dimensions (unit: mm)

■ bizhub 367/287/227 + DF-628 + PC-213 (PC-113/PC-413/DK-513)



■ bizhub 367/287/227 + DF-628 + PC-213 (PC-113/PC-413/DK-513) + FS-533



■ bizhub 367/287/227 + DF-628 + PC-213 (PC-113/PC-413/DK-513) + RU-514 + FS-534SD

